



Project:	
Type:	
Catalog Number:	
Wattage:	

PSP Series Power Supplies

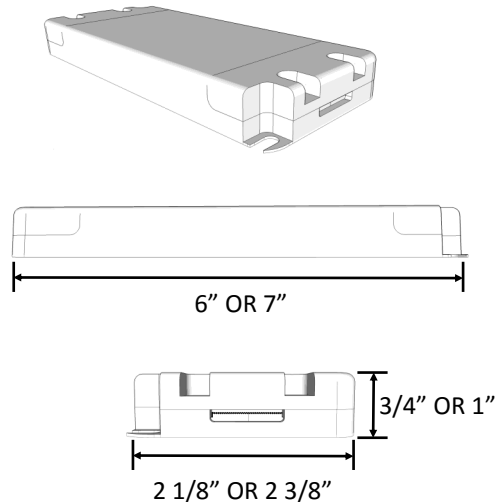
24VDC Electronic Power Supplies

Product Description: The PSP series power supplies are 24VDC to minimize voltage drop. They are all dimmable using electronic low voltage or triac dimmers. PSP enclosures are designed to separate the 120VAC and 24VDC.

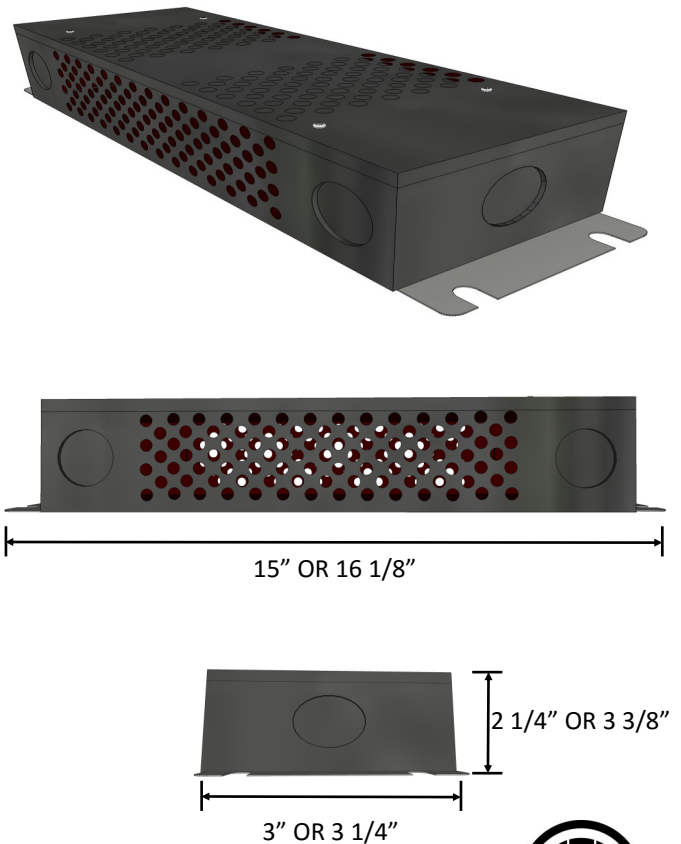
Product Specifications:

- 24 Volt DC
- Electronic
- Dimmable
- No Minimum Load
- 5 Year Warranty

PSP-25-24 and PSP-50-24



PSP-80-24, PSP-96-24, PSP-150-24 and PSP-200-24



Note: Drawings not to scale.

Catalog #	Description	L x W x H
PSP-25-24	25 Watt 24VDC Class 2 Electronic Dimmable Power Supply	6" x 2 1/8" x 3/4"
PSP-50-24	50 Watt 24VDC Class 2 Electronic Dimmable Power Supply	7" x 2 3/8" x 1"
PSP-80-24	80 Watt 24VDC Class 2 Electronic Dimmable Power Supply with Enclosure	15" x 3" x 2 1/4"
PSP-96-24	96 Watt 24VDC Class 2 Electronic Dimmable Power Supply with Enclosure	15" x 3" x 2 1/4"
PSP-150-24	150 Watt 24VDC Electronic Dimmable Power Supply with Enclosure	16 1/8" x 3 1/4" x 2 3/8"
PSP-200-24	200 Watt 24VDC Electronic Dimmable Power Supply with Enclosure	16 1/8" x 3 1/4" x 2 3/8"